



Pavone Sistemi's WORLDWIDE EXCLUSIVE DEALING, high performance and reliability

USB port, output RS232, ASCII Protocols or MODBUS RTU

Upload and download function for programming with 1006 TESTER

Available also with PROFIBUS DP

10 points linearization

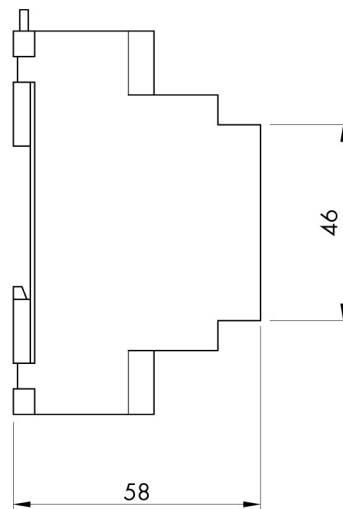
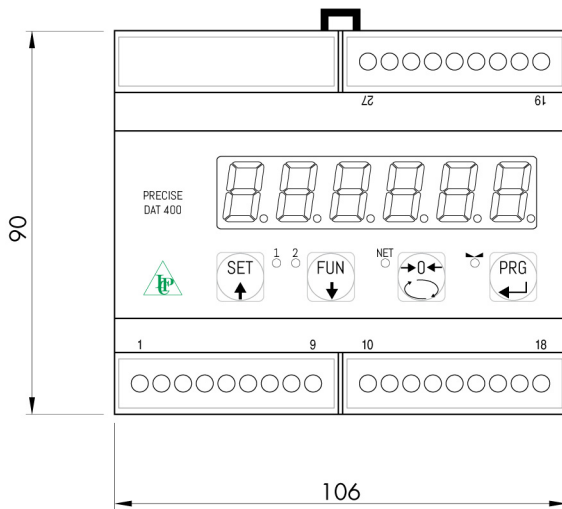
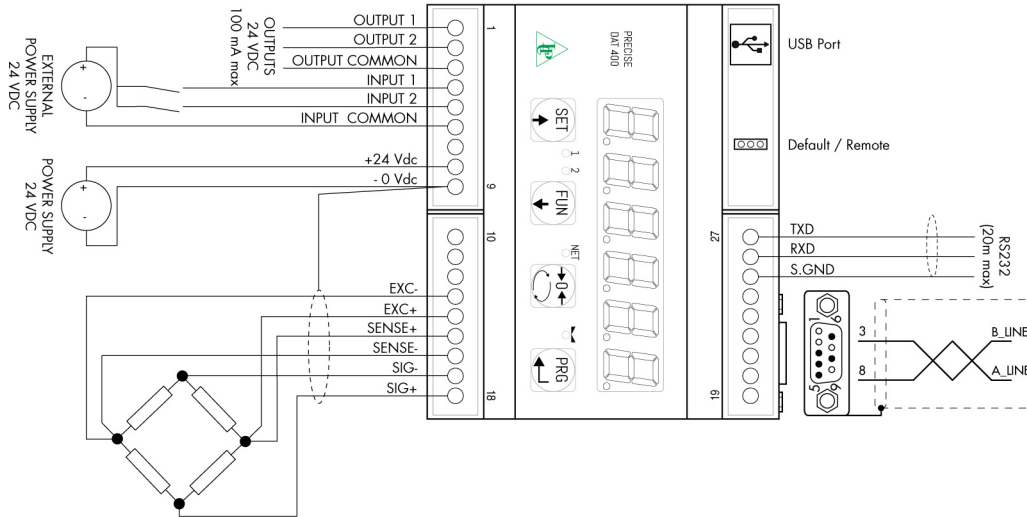
Calibration done using certificates of transducers

Configuration and calibration from the front panel or PC via the USB serial port

**TECHNICAL CHARACTERISTICS DAT 400/PROFIBUS DP**

Trasducer input voltage:	5 V (max 6 load cells 350 Ohm)
Measuring range:	-0.5 ÷ +3.5 mV/V (-3.9 ÷ +3.9 mV/V optional)
Input sensitivity:	0.02 microV/division
Linearity:	< 0.01% FS
Gain, drift:	< 0.001% FS/ °C
Display:	6 digit, red LED (7 segments), h 14 mm
A/D Converter:	24 bit
Resolution:	> 16.000.000 counts
Visible resolution:	60.000 divisions displayable on net weight
Divisions value (adjustable):	x1, x2, x5
Decimal:	0.0 ; 0.00 ; 0.000
Filter:	0.1÷25 Hz adjustable
Keyboard:	4 tactile feedback buttons
Tool voltage:	24 Vcc ±15% - power 5 W
Temperature range:	-10 ÷ +50 °C
Storage Temperature:	-20/+70°C
Logic output:	2 Solid-state relays, (maximum load 24 Vdc / 100 mA each)
Logic input:	2 optoisolated 24 Vcc PNP (External voltage)
Serial door:	USB, RS232C with ASCII or Modbus RTU protocols
Transmission distance:	15m (RS232C)
Peak Hold function:	only for dynamics measures
Baud rate:	2400, 9600, 19200, 38400, 115200 adjustable (for RS232)
Regulatory compliance:	EN61326-1, EN55011 and EN55014 for EMC; EN61010-1 for electrical security
Electrical connection:	Screw terminals 5 mm
Dimensions and weight:	106 x 90 x 58 mm (L x H x P); 250 g
FieldBUS protocol:	PROFIBUS DP





**SCIGATE AUTOMATION (S) PTE LTD**

No.1 Bukit Batok Street 22 #01-01 Singapore 659592

Tel: (65) 6561 0488

Fax: (65) 6562 0588

Email: sales@scigate.com.sg

Web: www.scigate.com.sg

Business Hours: Monday - Friday 8.30am - 6.15pm

